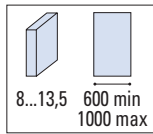


MINIMAL TONDO RUOTA SOFT-CLOSE



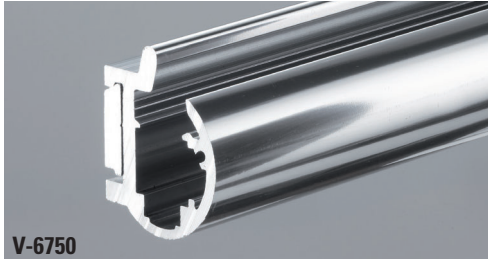
V-6750



TECHNICAL



COMPONENTS / COMPONENTES / COMPOSANTS ▶ 96



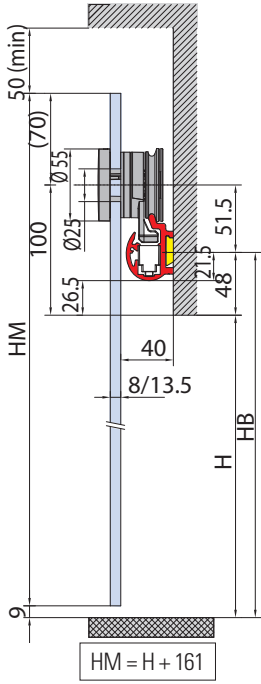
V-6750



V-6752



V-012-EVO

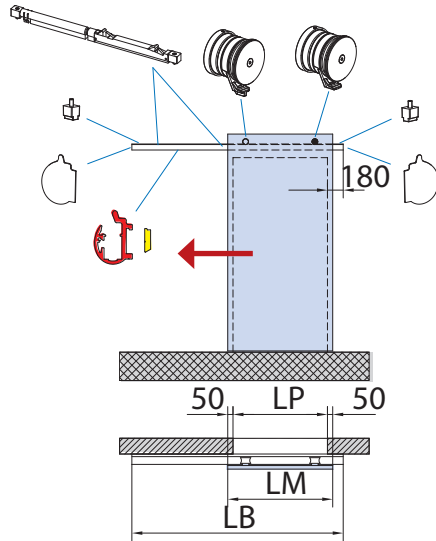


TECHNICAL

V-6750 SET 1

€▶A.364

- Set per 1 anta scorrevole, fissaggio a parete
- Sliding door set, wall installation
- Schiebetürset für 1 flg, Wandmontage



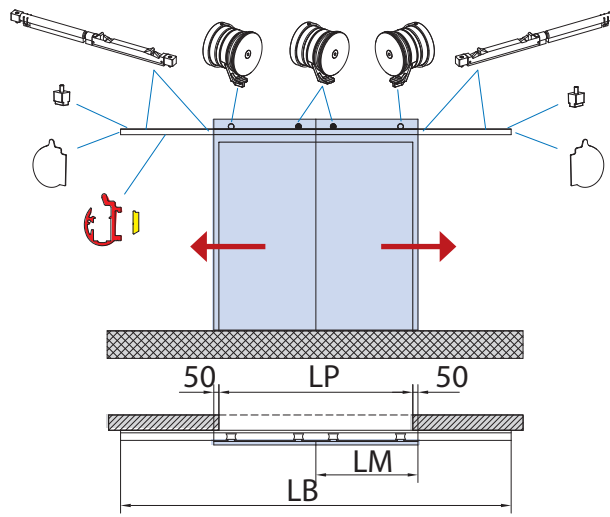
$$LB = LP \times 2 + (50 \times 2) + 300$$

$$LM = LP + 100$$

V-6750 SET 2

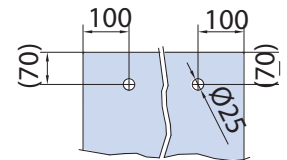
€▶A.365

- Set per 2 ante scorrevoli, fissaggio a parete
- Sliding doors set, wall installation
- Schiebetürset für 2 flg, Wandmontage



$$LB = LP \times 2 + (50 \times 2) + 250$$

$$LM = (LP + 100) / 2$$

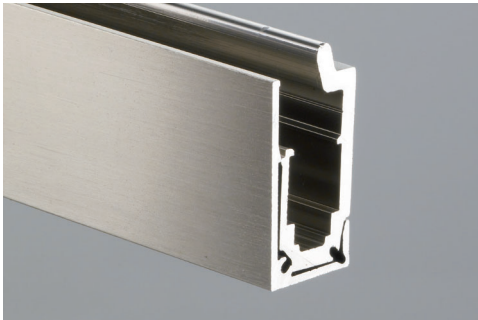
 LAVORAZIONE VETRO
 GLASS PREPARATION
 GLASBEARBEITUNG


xme547c

Cod.	Fin. / Fin. / Oberf.	V-6750 SET 1 FIX	V-6750 SET 1-MIS	V-6750 SET 2 FIX	V-6750 SET 2-MIS
V-6750 L=2000 L=3000 L=4000 L=6000	AN / IXE / CR	1	-	1	-
V-6750-MIS L=1500 → 6000	AN / IXE / CR	-	1	-	1
V-6752	AN / IXE / CR	1	1	2	2
V-012-EVO	AN / NS / CR	1	1	2	2

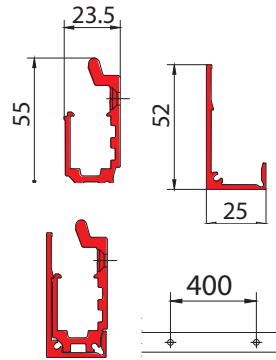
V-6650 / V-6750 / V-6520 / V-6720 MINIMAL SOFT-CLOSE

COMPONENTI / COMPONENTS / EINZELTEILE



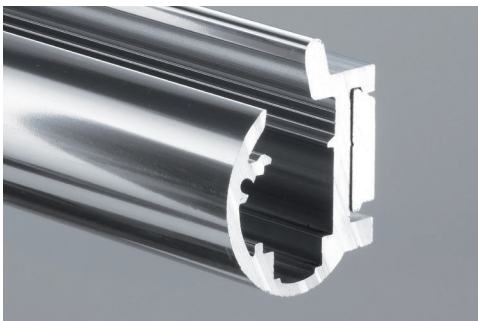
V-6550

- Binario Minimal Quadro
 - Track profile Minimal Quadro
 - Laufschiene Minimal Quadro
- AN - IXE - CR



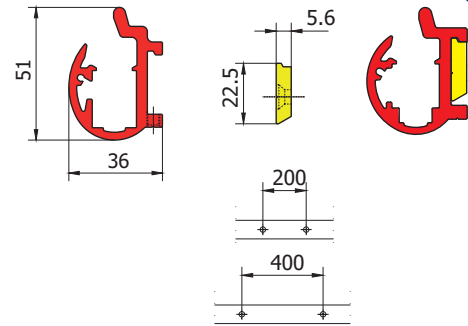
€▶A.355

xme547b



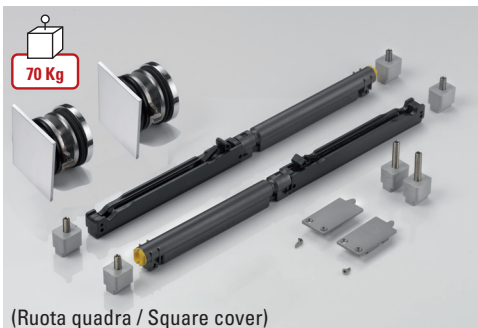
V-6750

- Binario Minimal Tondo
 - Track profile Minimal Tondo
 - Laufschiene Minimal Tondo
- AN - IXE - CR



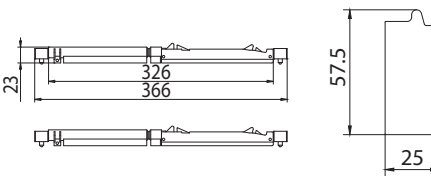
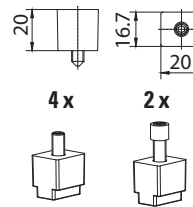
€▶A.366

xme547d

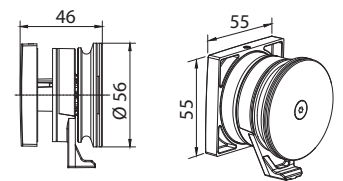


V-6552

- Set carrelli, stopper Soft-close e tappi per 1 anta scorrevole (per V-6550)
- Set trolley hangers, Soft-close stoppers and endcaps for 1 panel (for V-6550)
- Set Laufrollen, Soft-close Stopper und Endkappen für 1 Flügel (für V-6550)

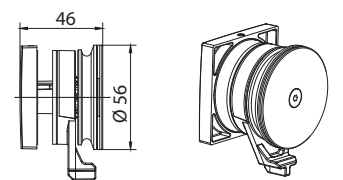


Anti-jump



€▶A.356

Activator Soft-close

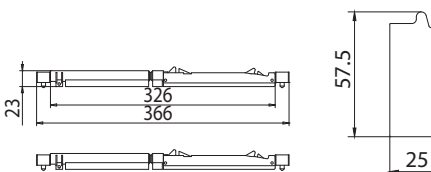
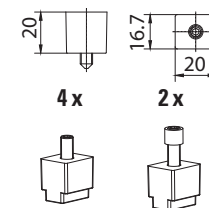


xme547b

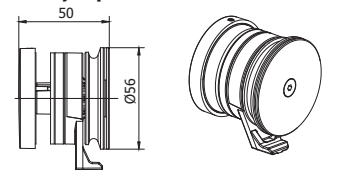


V-6552-T

- Set carrelli, stopper Soft-close e tappi per 1 anta scorrevole (per V-6550-T)
- Set trolley hangers, Soft-close stoppers and endcaps for 1 panel (for V-6550-T)
- Set Laufrollen, Soft-close Stopper und Endkappen für 1 Flügel (für V-6550-T)

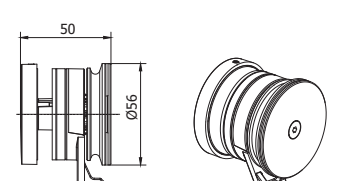


Anti-jump



€▶A.357

Activator Soft-close



xme547b

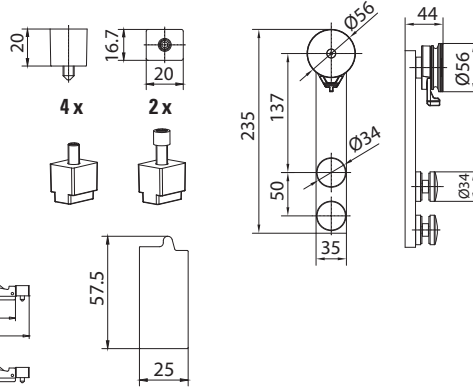
V-6650 / V-6750 / V-6520 / V-6720 MINIMAL SOFT-CLOSE

COMPONENTI / COMPONENTS / EINZELTEILE



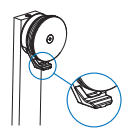
70 Kg

- V-6522**
- Set carrelli, stopper Soft-close e tappi per 1 anta scorrevole (per V-6520)
 - Set trolley hangers, Soft-close stoppers and endcaps for 1 panel (for V-6520)
 - Set Laufrollen, Soft-close Stopper und Endkappen für 1 Flügel (für V-6520)

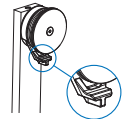


€▶ A.362

Anti-jump



Activator Soft-close



xme547f

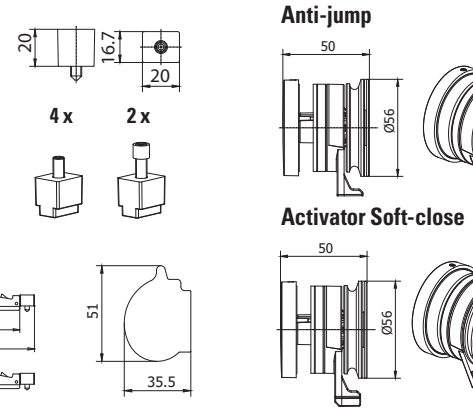


8...13,5



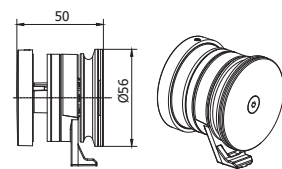
70 Kg

- V-6752**
- Set carrelli, stopper Soft-close e tappi per 1 anta scorrevole (per V-6750)
 - Set trolley hangers, Soft-close stoppers and endcaps for 1 panel (for V-6750)
 - Set Laufrollen, Soft-close Stopper und Endkappen für 1 Flügel (für V-6750)

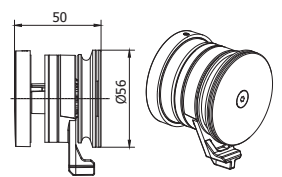


€▶ A.367

Anti-jump



Activator Soft-close



xme547d

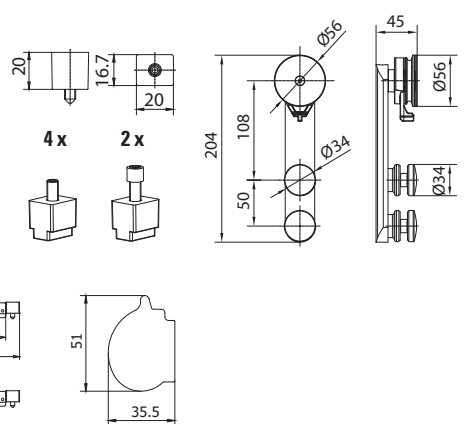


8...13,5



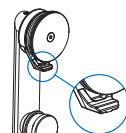
70 Kg

- V-6722**
- Set carrelli, stopper Soft-close e tappi per 1 anta scorrevole (per V-6720)
 - Set trolley hangers, Soft-close stoppers and endcaps for 1 panel (for V-6720)
 - Set Laufrollen, Soft-close Stopper und Endkappen für 1 Flügel (für V-6720)

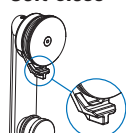


€▶ A.372

Anti-jump



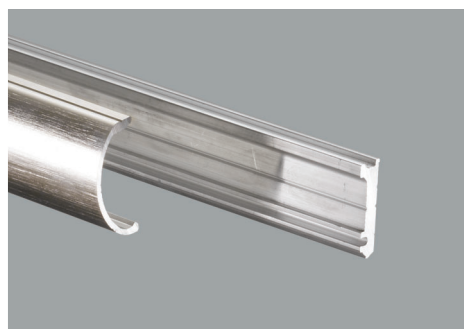
Activator Soft-close



xme547i



8...13,5

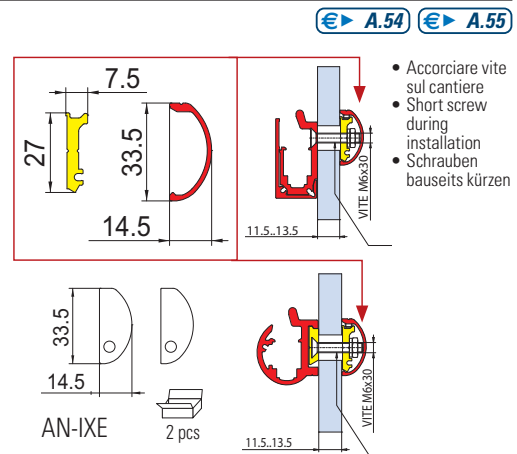


- V-6006**
- Profilo e veletta per fissaggio binario a vetro (non preforato)
 - Profile and cover profile for glass installation (not predrilled)
 - Profil und Abdeckung für Glasmontage (nicht vorgebohrt)

- V-6007**
- Paio di tappi laterali per profili fissaggio a vetro V-6006
 - Pair endcaps for V-6006 profiles glass installation
 - Paar Endkappen für Profile V-6006 Glasmontage

Cod.	Fin./Fin./Oberf.
V-6006-2000 mm	AN / CR / IXE
V-6006-3000 mm	AN / CR / IXE
V-6006-4000 mm	AN / CR / IXE
V-6006-6000 mm	AN / CR / IXE
V-6006-MIS*	AN / CR / IXE

* disponibilità taglio a misura mm 1500→6000
 * cut to size mm 1500→6000
 * nach Mass geschnitten mm 1500→6000



- Accorciare vite sul cantiere
- Short screw during installation
- Schrauben bauseits kürzen

AN-IXE

2 pcs

xme547i/xme547l/xme547m/xme547n

TECHNICAL