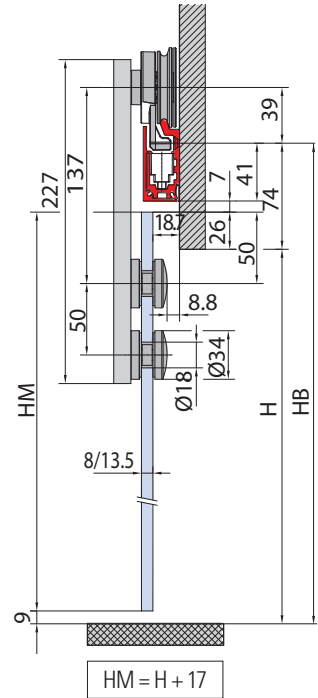
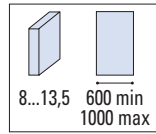
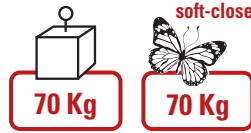




## MINIMAL QUADRO CON ASTA SOFT-CLOSE

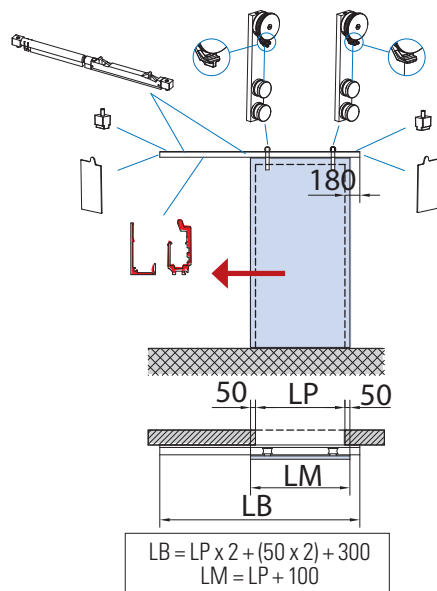
### V-6520



### V-6520 SET 1

€▶A.359

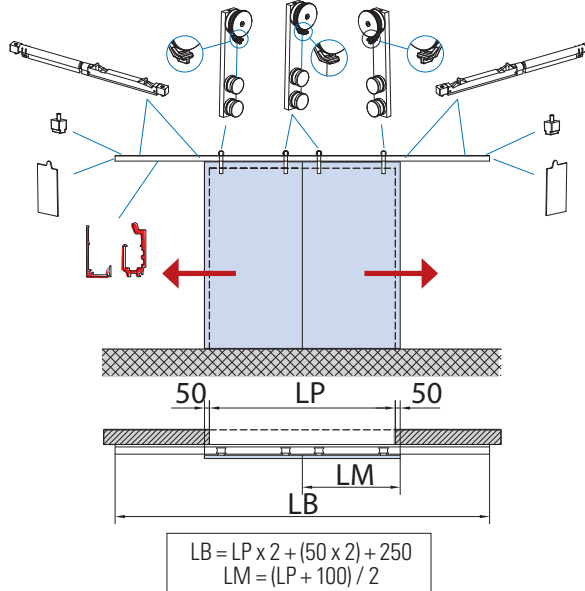
- Set per 1 ante scorrevole, fissaggio a parete
- Sliding door set, wall installation
- Schiebetürset für 1 flg, Wandmontage



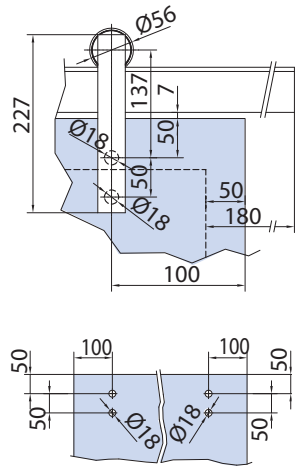
### V-6520 SET 2

€▶A.360

- Set per 2 ante scorrevoli, fissaggio a parete
- Sliding doors set, wall installation
- Schiebetürset für 2 flg, Wandmontage



### LAVORAZIONE VETRO GLASS PREPARATION GLASBEARBEITUNG



xme547e

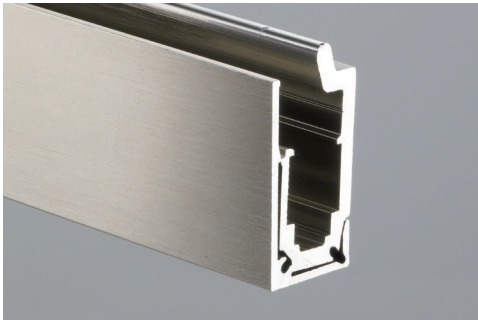
### COMPONENTI / COMPONENTS / EINZELTEILE ▶ 96



Cod.	Fin.   Fin.   Oberf.	V-6520 SET 1 FIX	V-6520 SET 1-MIS	V-6520 SET 2 FIX	V-6520 SET 2-MIS
<b>V-6550</b> L=2000 L=3000 L=4000 L=6000	AN / IXE / CR	1	-	1	-
<b>V-6550-MIS</b> L=1500 → 6000	AN / IXE / CR	-	1	-	1
<b>V-6522</b>	AN / IXE / CR	1	1	2	2
<b>V-012-EVO</b>	AN / NS / CR	1	1	2	2

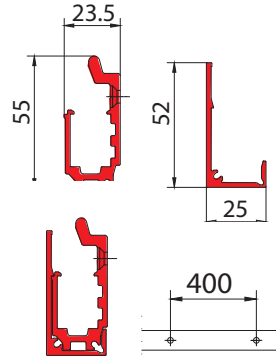
# V-6650 / V-6750 / V-6520 / V-6720 MINIMAL SOFT-CLOSE

## COMPONENTI / COMPONENTS / EINZELTEILE



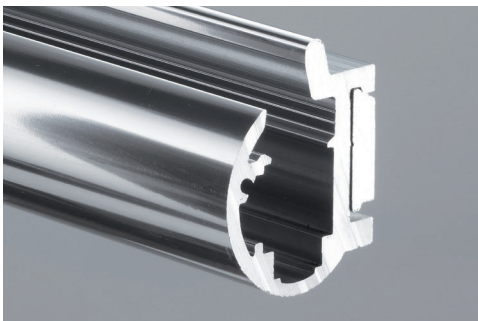
### V-6550

- Binario Minimal Quadro
  - Track profile Minimal Quadro
  - Laufschiene Minimal Quadro
- AN - IXE - CR



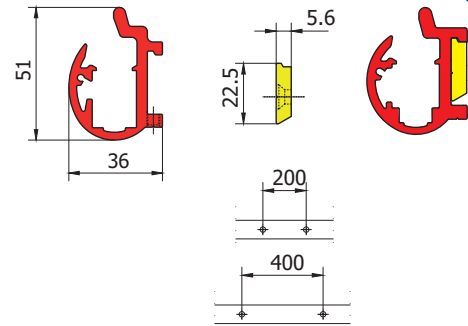
€▶A.355

xme547b



### V-6750

- Binario Minimal Tondo
  - Track profile Minimal Tondo
  - Laufschiene Minimal Tondo
- AN - IXE - CR



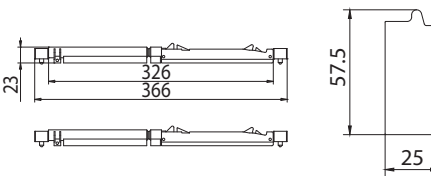
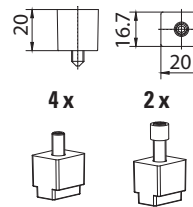
€▶A.366

xme547d

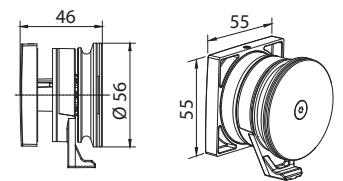


### V-6552

- Set carrelli, stopper Soft-close e tappi per 1 anta scorrevole (per V-6550)
- Set trolley hangers, Soft-close stoppers and endcaps for 1 panel (for V-6550)
- Set Laufrollen, Soft-close Stopper und Endkappen für 1 Flügel (für V-6550)



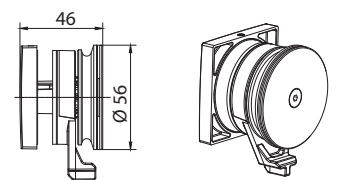
### Anti-jump



€▶A.356

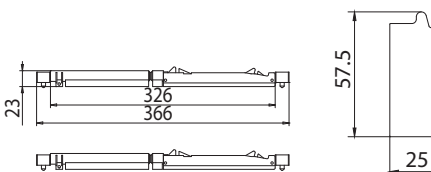
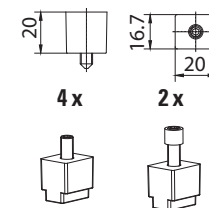
xme547b

### Activator Soft-close

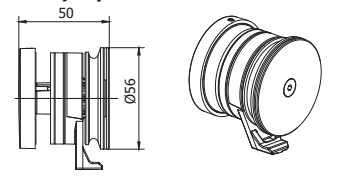


### V-6552-T

- Set carrelli, stopper Soft-close e tappi per 1 anta scorrevole (per V-6550-T)
- Set trolley hangers, Soft-close stoppers and endcaps for 1 panel (for V-6550-T)
- Set Laufrollen, Soft-close Stopper und Endkappen für 1 Flügel (für V-6550-T)



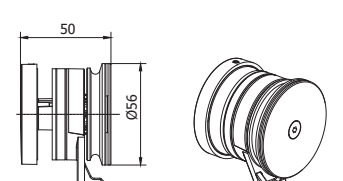
### Anti-jump



€▶A.357

xme547b

### Activator Soft-close



# V-6650 / V-6750 / V-6520 / V-6720 MINIMAL SOFT-CLOSE

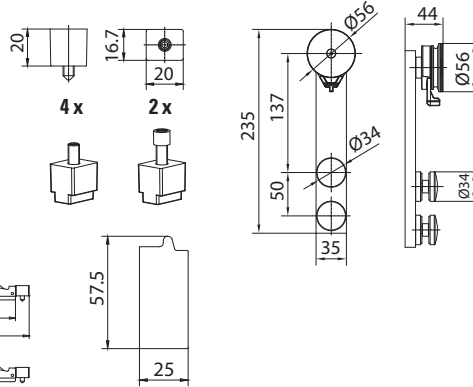


70 Kg

8...13,5

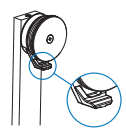
## V-6522

- Set carrelli, stopper Soft-close e tappi per 1 anta scorrevole (per V-6520)
- Set trolley hangers, Soft-close stoppers and endcaps for 1 panel (for V-6520)
- Set Laufrollen, Soft-close Stopper und Endkappen für 1 Flügel (für V-6520)

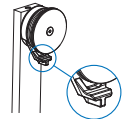


€▶ A.362

Anti-jump



Activator Soft-close



xme547f

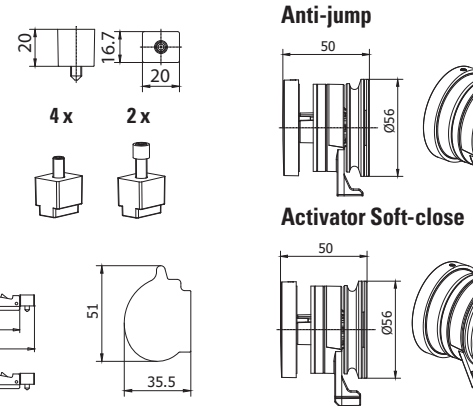


70 Kg

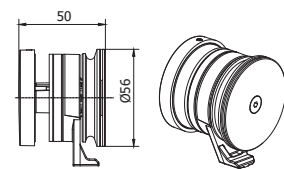
8...13,5

## V-6752

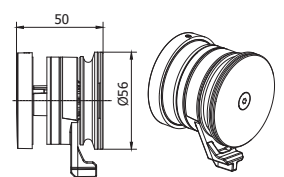
- Set carrelli, stopper Soft-close e tappi per 1 anta scorrevole (per V-6750)
- Set trolley hangers, Soft-close stoppers and endcaps for 1 panel (for V-6750)
- Set Laufrollen, Soft-close Stopper und Endkappen für 1 Flügel (für V-6750)



Anti-jump



Activator Soft-close



€▶ A.367

xme547d

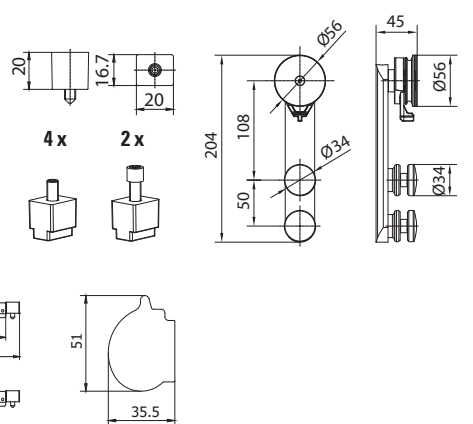


70 Kg

8...13,5

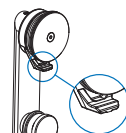
## V-6722

- Set carrelli, stopper Soft-close e tappi per 1 anta scorrevole (per V-6720)
- Set trolley hangers, Soft-close stoppers and endcaps for 1 panel (for V-6720)
- Set Laufrollen, Soft-close Stopper und Endkappen für 1 Flügel (für V-6720)

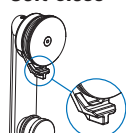


€▶ A.372

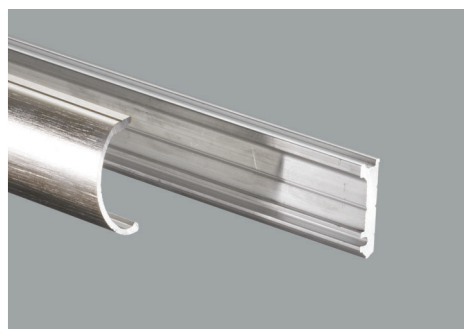
Anti-jump



Activator Soft-close



xme547i



## V-6006

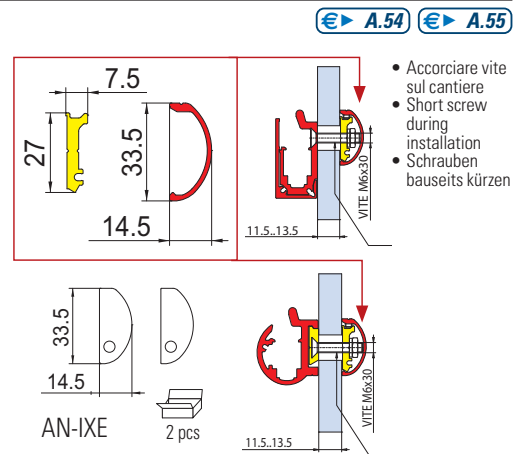
- Profilo e veletta per fissaggio binario a vetro (non preforato)
- Profile and cover profile for glass installation (not predrilled)
- Profil und Abdeckung für Glasmontage (nicht vorgebohrt)

## V-6007

- Paio di tappi laterali per profili fissaggio a vetro V-6006
- Pair endcaps for V-6006 profiles glass installation
- Paar Endkappen für Profile V-6006 Glasmontage

Cod.	Fin./Fin./Oberf.
V-6006-2000 mm	AN / CR / IXE
V-6006-3000 mm	AN / CR / IXE
V-6006-4000 mm	AN / CR / IXE
V-6006-6000 mm	AN / CR / IXE
V-6006-MIS*	AN / CR / IXE

\* disponibilità taglio a misura mm 1500→6000  
 \* cut to size mm 1500→6000  
 \* nach Mass geschnitten mm 1500→6000



- Accorciare vite sul cantiere
- Short screw during installation
- Schrauben bauseits kürzen

AN-IXE

2 pcs

xme547i/xme547l/xme547m/xme547n

TECHNICAL