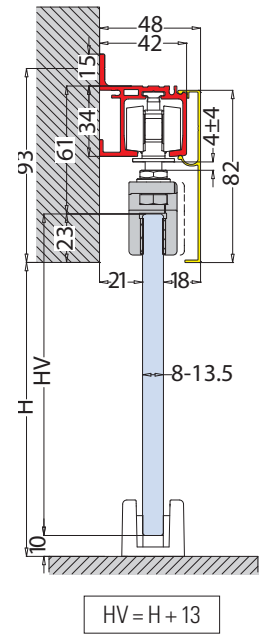
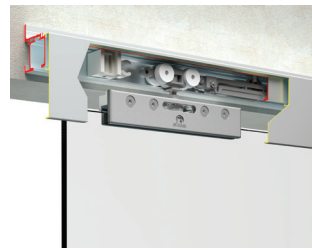
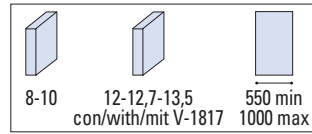




BRIXIA (OPTIONAL SOFT-CLOSE)

V-1810

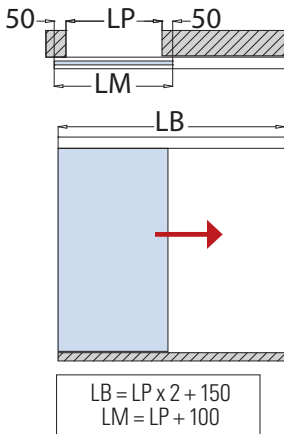


SIMPLE

V-1810 SET 1

€▶A.291

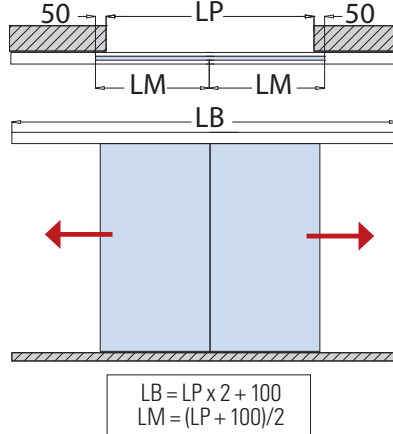
- Set per 1 anta scorrevole, fissaggio a parete
- Sliding doors set, wall installation
- Schiebetürset 1-flügelig, Wandmontage



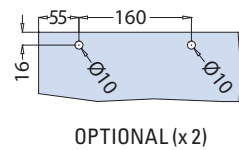
V-1810 SET 2

€▶A.292

- Set per 2 ante scorrevoli, fissaggio a parete
- Sliding doors set, wall installation
- Schiebetürset 2-flügelig, Wandmontage



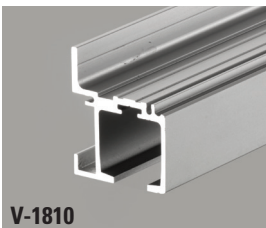
LAVORAZIONE VETRO GLASS PREPARATION GLASBEARBEITUNG



- **ATTENZIONE:** Con fori di sicurezza **optional** l'anta minima con soft-close aumenta di 100 mm
- **WARNING:** With **optional** security holes min. panel's width soft-close must be increased of 100mm
- **ACHTUNG:** Wenn **optionale** Sicherheitsbohrungen und Soft-close eingesetzt werden, muss die Mindestbreite um 100mm verlängert werden

xme425a

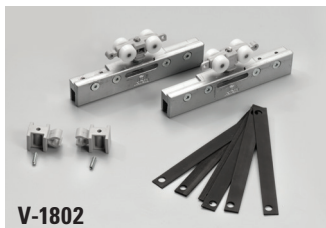
COMPONENTI / COMPONENTS / EINZELTEILE ▶ 71



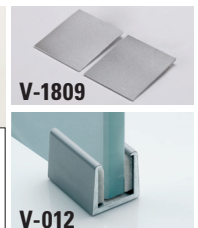
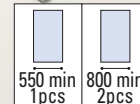
V-1810



V-1801



V-1802


 V-1806-70 (OPTIONAL) - 70 Kg
V-1806-50 (OPTIONAL) - 50 Kg


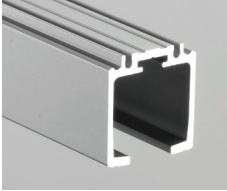
V-1809

V-012

Cod.	Fin. / Fin. / Oberf.	V-1810 SET 1 FIX	V-1810 SET 1 MIS	V-1810 SET 2 FIX	V-1810 SET 2 MIS
V-1810 LB=2000 LB=3000 LB=4000 LB=6000	AN	1	—	1	—
V-1810-MIS LB= 1500→6000	AN	—	1	—	1
V-1801 LB=2000 LB=3000 LB=4000 LB=6000	AN/IXE	1	—	1	—
V-1801-MIS LB= 1500→6000	AN/IXE	—	1	—	1
V-1802	—	1	1	2	2
V-1806-70 Soft-close (OPTIONAL)	—	(1) (2)	(1) (2)	(2) (4)	(2) (4)
V-1806-50 Soft-close (OPTIONAL)	—	(1) (2)	(1) (2)	(2) (4)	(2) (4)
V-012	AN/IXE	1	1	2	2
V-1809	AN/IXE	1	1	1	1

V-1800 / V-1810 / V-1803 / V-1850 / V-1855 BRIXIA MICRO (OPTIONAL SOFT-CLOSE)

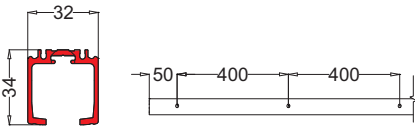
COMPONENTI / COMPONENTS / EINZELTEILE



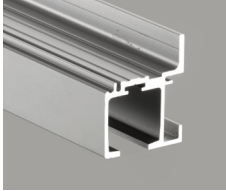
V-1800 €▶A.299

- Binario
- Track profile
- Laufschiene

AN



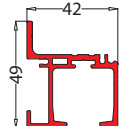
xme425d



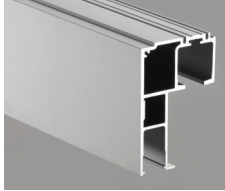
V-1810 €▶A.300

- Binario per fissaggio a parete
- Track profile for wall installation
- Laufschiene für Wandmontage

AN



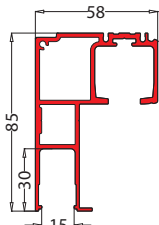
xme425d



V-1803 €▶A.301


- Binario per anta scorrevole con vetro fisso laterale
- Track profile for sliding panel and fixed side panel
- Laufschiene für Schiebetür und Seitenteil

AN



xme425d

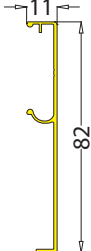
SIMPLE



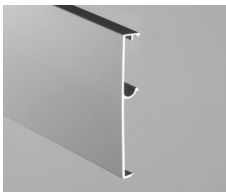
V-1801 €▶A.302

- Veletta
- Cover profile
- Abdeckung

AN-IXE




xme425d



V-1851 €▶A.303





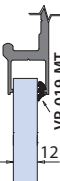
- Veletta
- Cover profile
- Abdeckung

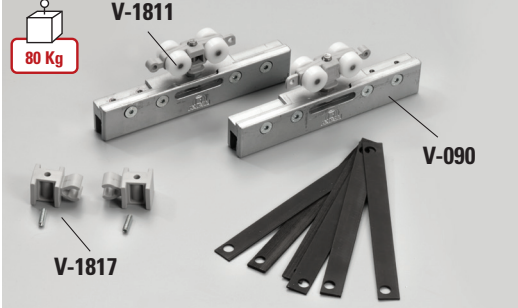
AN



xme425d

OPTIONAL €▶A.308

VP-019-MT	VP-018-MT	
		
2	3	
1000 mm - 2000 mm - 3000 mm		
<ul style="list-style-type: none"> • Guarnizioni per sede vetro fisso • Gaskets for fixed glass • Dichtungen für Seitenteil 		
		
8	10	12



V-1811

80 Kg

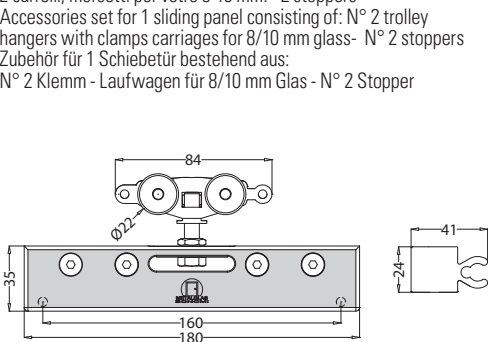
V-090

V-1817

8-10
12-12.7-13.5
con/with/mit V-1817

V-1802 €▶A.304

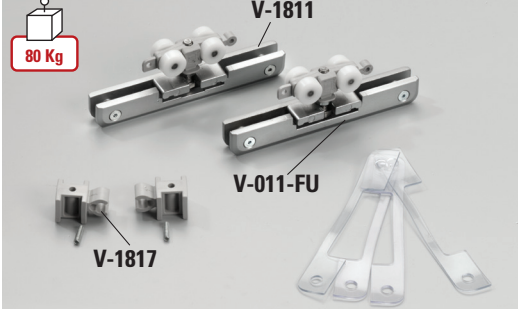
- Set accessori per 1 anta scorrevole composto da: 2 carrelli, morsetti per vetro 8-10 mm. - 2 stoppers
- Accessories set for 1 sliding panel consisting of: N° 2 trolley hangers with clamps carriages for 8/10 mm glass - N° 2 stoppers
- Zubehör für 1 Schiebetür bestehend aus: N° 2 Klemm - Laufwagen für 8/10 mm Glas - N° 2 Stopper



(x 2)

- Fori optional
- Holes optional
- Bohrungen Optional

xme425d



V-1811

80 Kg

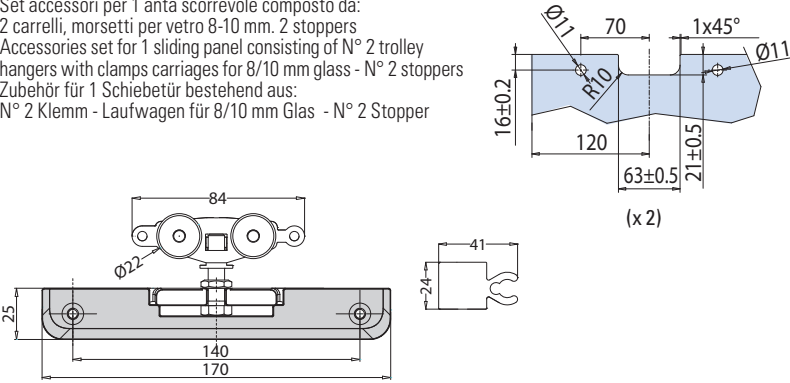
V-011-FU

V-1817

8-10

V-1852 €▶A.305

- Set accessori per 1 anta scorrevole composto da: 2 carrelli, morsetti per vetro 8-10 mm. 2 stoppers
- Accessories set for 1 sliding panel consisting of: N° 2 trolley hangers with clamps carriages for 8/10 mm glass - N° 2 stoppers
- Zubehör für 1 Schiebetür bestehend aus: N° 2 Klemm - Laufwagen für 8/10 mm Glas - N° 2 Stopper



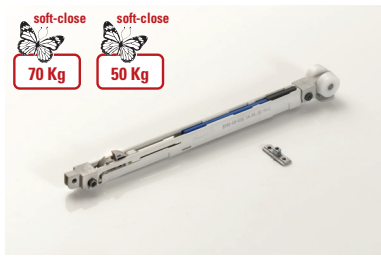
(x 2)

xme425d

V-1800 / V-1810 / V-1803 / V-1850 / V-1855 BRIXIA MICRO (OPTIONAL SOFT-CLOSE)

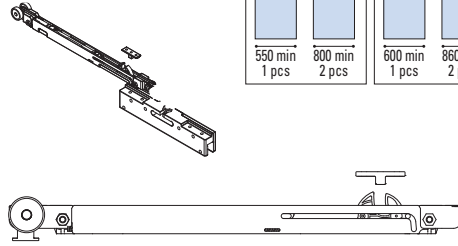
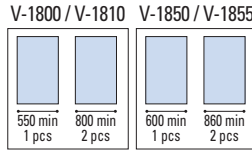
COMPONENTI / COMPONENTS / EINZELTEILE

SIMPLE



V-1806-70 Kg
V-1806-50 Kg
• 1 pcs Soft-close

€▶A.306 €▶A.307



xme425d

V-1808

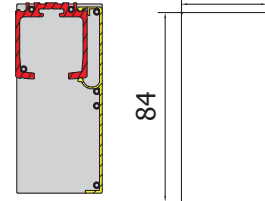
- Paio tappi finali per binario V-1800
- Pair endcaps for track profile V-1800
- Paar Endkappen für Laufschieneprofil V-1800

€▶A.315

AN-IXE



2 pcs



282po27

V-1809

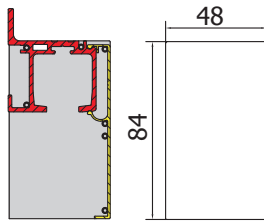
- Paio tappi finali per binario V-1810
- Pair endcaps for track profile V-1810
- Paar Endkappen für Laufschieneprofil V-1810

€▶A.317

AN-IXE



2 pcs



282po29

V-1804

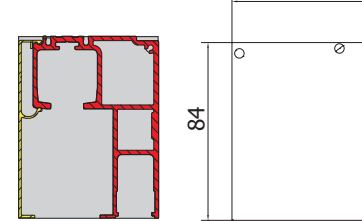
- Paio tappi finali per binario V-1810
- Pair endcaps for track profile V-1810
- Paar Endkappen für Laufschieneprofil V-1810

€▶A.316

AN



2 pcs



282po33

V-1858

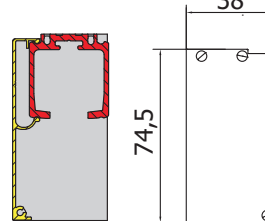
- Paio tappi finali per binario V-1850
- Pair endcaps for track profile V-1850
- Paar Endkappen für Laufschieneprofil V-1850

€▶A.319

AN



2 pcs



282po35

V-1859

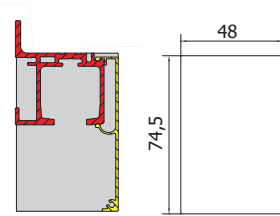
- Paio tappi finali per binario V-1855
- Pair endcaps for track profile V-1855
- Paar Endkappen für Laufschieneprofil V-1855

€▶A.318

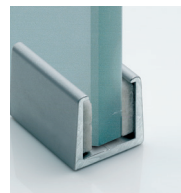
AN



2 pcs



282po45

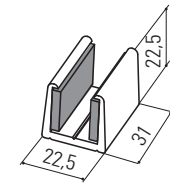


V-012

- Guida a pavimento per scorrevole con feltrini per vetro 8 e 10 mm
- Floor guide with felt strips for glass sliding door a 8 and 10 mm
- Bodenführung mit Filzgleiter für Glas 8 und 10 mm

€▶A.310

AN-NS-CR



v-012

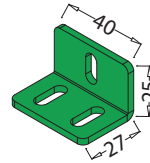
V-1807

- 1 pezzo staffe per fissaggio a parete binario V-1800 (circa 1 pezzo ogni 400 mm)
- 1 Piece fixing bracket for wall installation track profile V-1800 (about 1 piece every 400 mm)
- 1 Stück Winkelprofil für Wandmontage Schiene V-1800 (1 Stück je ca. 400 mm)

€▶A.309



1 pcs



xme425d



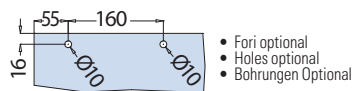
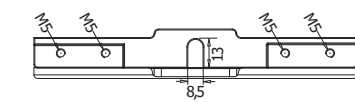
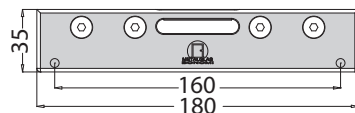
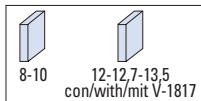
V-090

- Pinza
- Clamp
- Klemmschuh

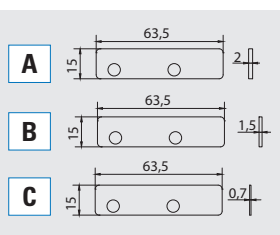
€▶A.311



140 Kg
x 2 pcs

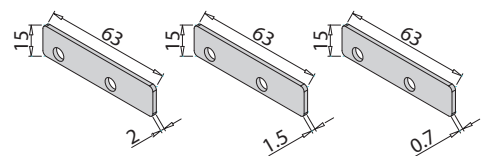


xme431c / xme425a



V-1817-A
V-1817-B
V-1817-C

- Kit spessori per vetro 12 - 12,7 - 13,5 per 2 pinze V-090 e V-090-T
- Kit spacers for glass thickness 12 - 12,7 - 13,5 for 2 clamps V-090 and V-090-T
- Kit Distanzscheiben für Glasdicke 12 - 12,7 - 13,5 für 2 Klemm-Lauwagen V-090 und V-090-T



xme425t