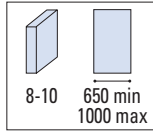


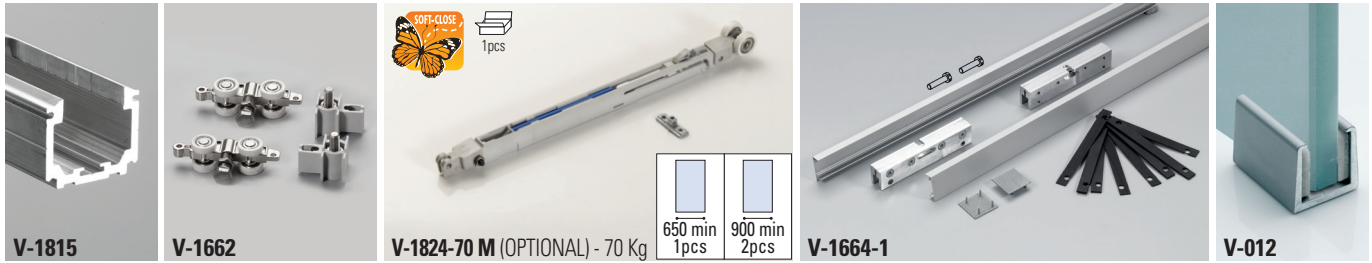
SEMI-VISIBLE (OPTIONAL SOFT-CLOSE)

V-1660

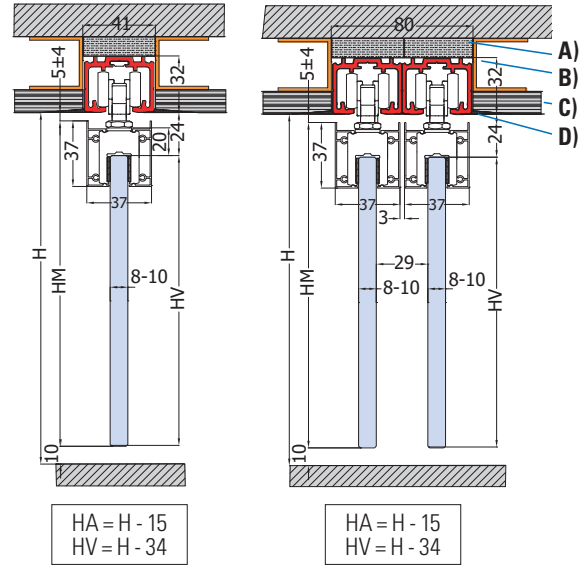


INVISIBLE



COMPONENTI / COMPONENTS / EINZELTEILE ▶ 87 - 155


- A)** Spessore a cura del cliente
Shim by the customer
Ausgleich bauseits
- B)** Struttura ad "U" per cartongesso 28x30
"U" Profile structure for plasterboard
"U" Profil Struktur fuer Gipskarton
- C)** Lastra cartongesso forma "AK"
Plasterboard sheet type "AK"
Gipskartonplatte Typ "AK"
- D)** Rete fibra vetro per rasatura
Fiberglass mesh for levelling
Fiberglas-Netz für die Verspachtelung


V-1660 SET 1

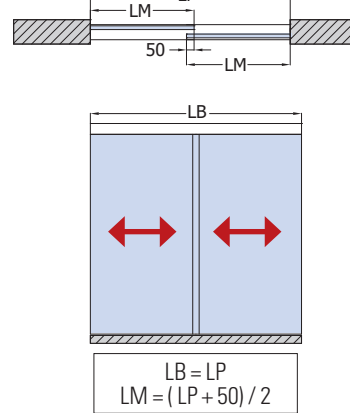
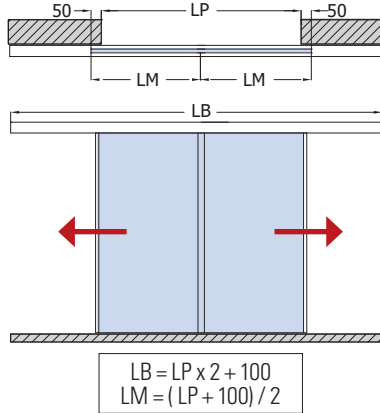
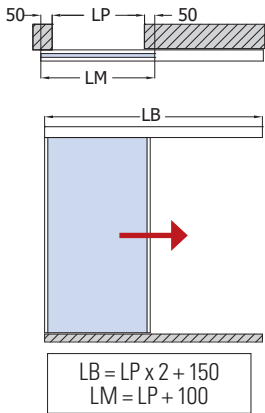
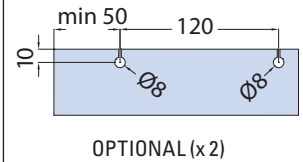
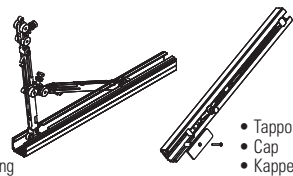
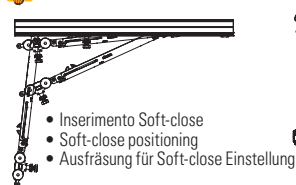
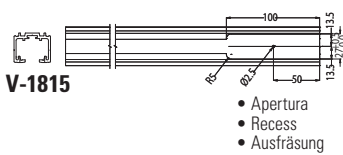
€ ▶ A.254

V-1660 SET 2

€ ▶ A.255

V-1660 SET 5

€ ▶ A.256


 LAVORAZIONE VETRO
 GLASS PREPARATION
 GLASBEARBEITUNG

V-1660 con / with / mit Soft-close


xme528

Cod.	Fin. / Fin. Oberf.	V-1660 SET 1 FIX	V-1660 SET 1-MIS	V-1660 SET 2 FIX	V-1660 SET 2-MIS	V-1660 SET 5 FIX	V-1660 SET 5-MIS
V-1815 LB=2000 LB=3000 LB=4000 LB=6000	AN	1	-	1	-	2	-
V-1815-MIS LB= 1500→6000	AN	-	1	-	1	-	2
V-1664-1 L= 1000	AN	1	1	2	2	2	2
V-1662		1	1	2	2	2	2
V-1824-70 M / V-1824-50 M Soft-close (OPTIONAL)		(1) (2)	(1) (2)	(2) (4)	(2) (4)	(2) (4)	(2) (4)
V-012	AN	1	1	2	2	2	2