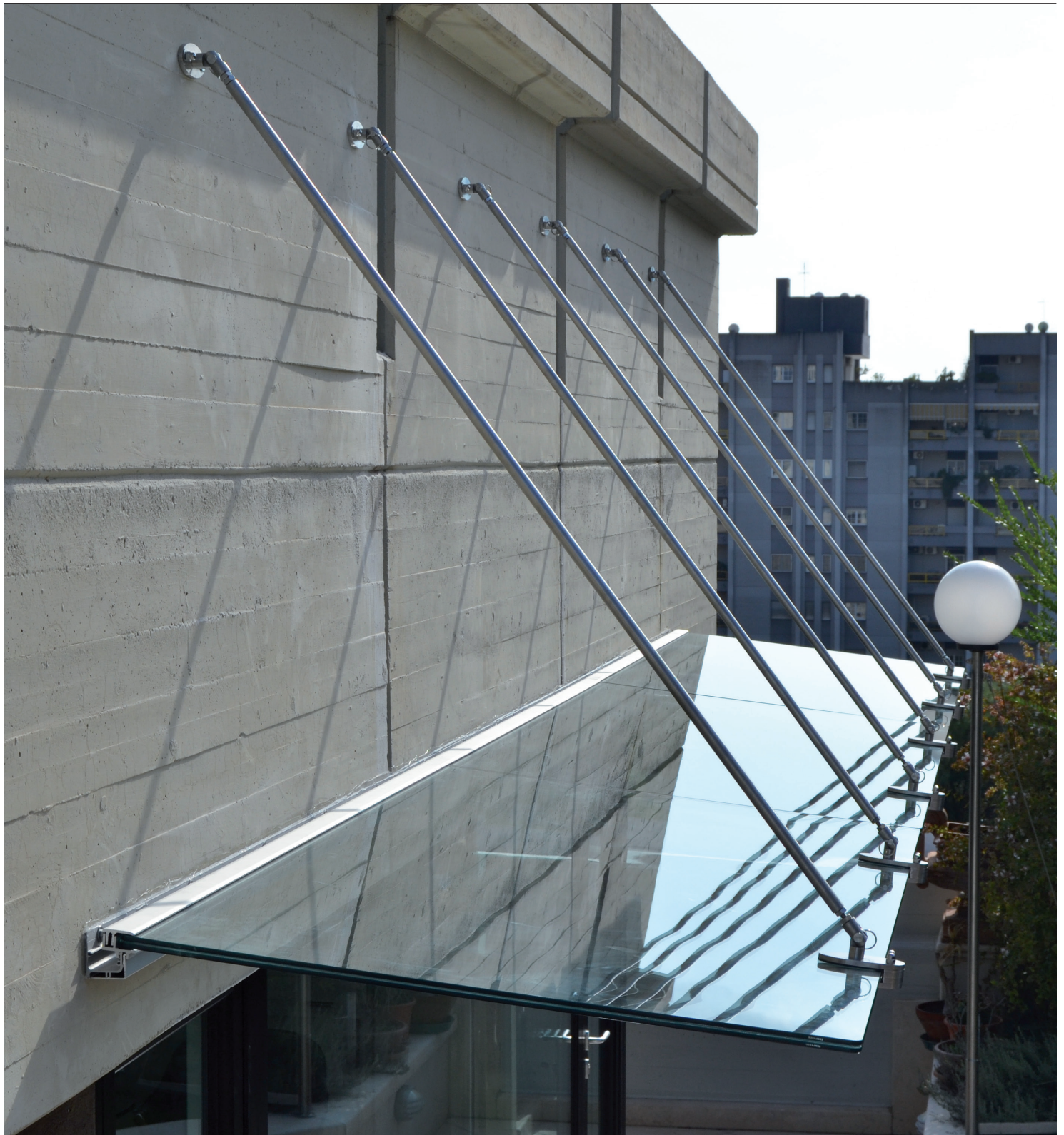


PRESA PENSILINA

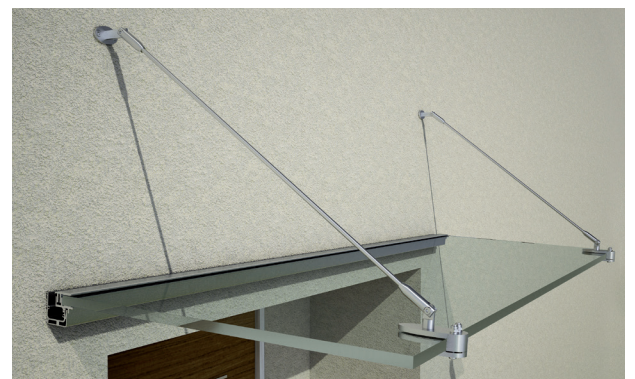
PENSILINE IN VETRO | ADJUSTABLE CANOPY | VERSTELLBARES VORDACH SYSTEM

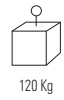
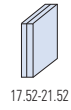
H BALUSTREE PENSILINE
 RAILING AND CANOPY SYSTEMS
 RAILING UND VORDACH SYSTEME



- Pensilina Presa.
- Glass canopy system Presa.
- Vordach System Presa.

PRICE LIST 2017
 ▶ 327



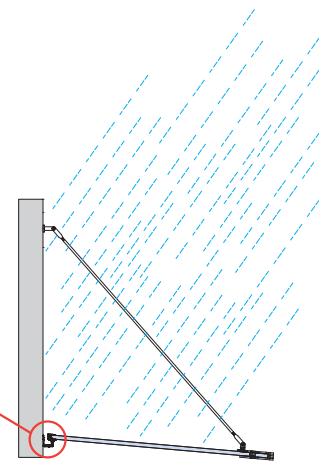
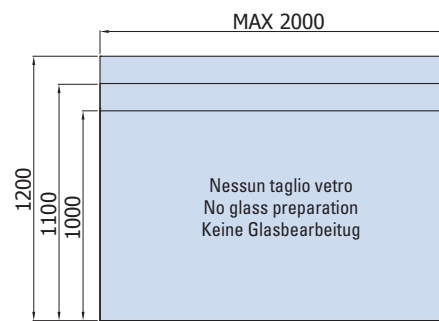
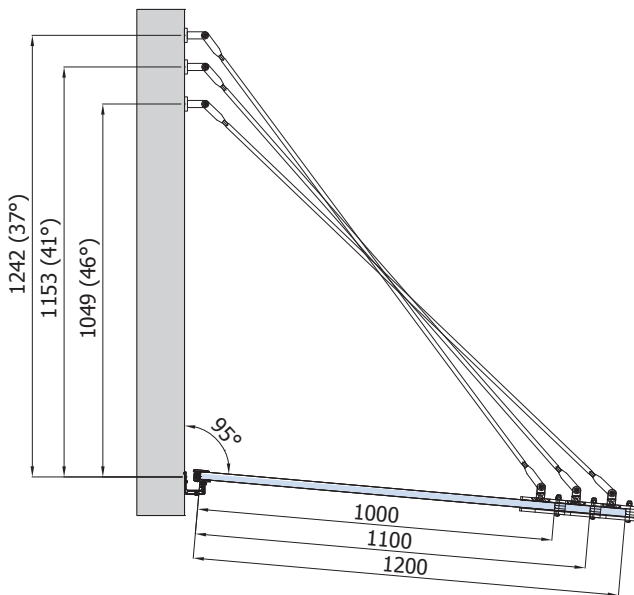
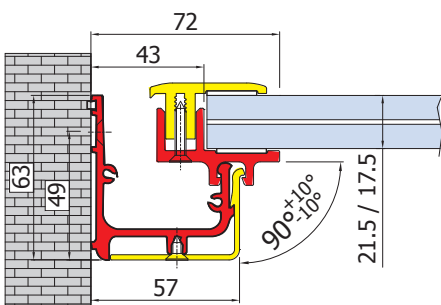


COMPONENTI | COMPONENTS | EINZELTEILE



PRESA

- Binario
- Rail
- Laufschiene



CARATTERISTICHE COMPONENTI | FEATURES COMPONENTS | EIGENSCHAFTEN EINZELTEILE ... ► H.??

xme200

AN	IX
Alluminio anodizzato	Acciaio inox satinato
Aluminium anodized	Satin stainless steel
Aluminium Silberfarbig	Edelstahl matt